



## Optional

Supplementary muffler  
code GE270



## Spare parts

Motor  
code ER710



Carbon brushes  
code ER670



Cartridge filter  
in polyester  
code ER623



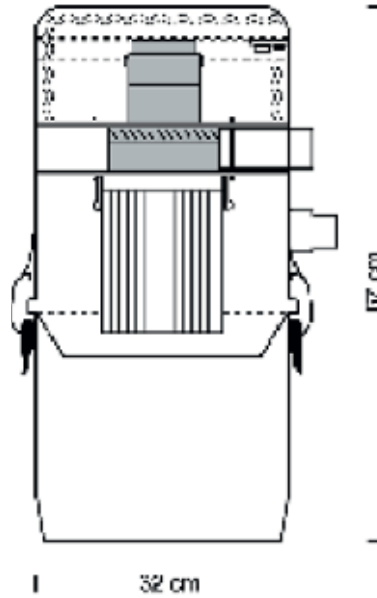
Disposable plastic bag  
code ER627



Disposable bag stretcher  
code ER624



Printed circuit board  
code ER902



### code ZA251

Central vacuum cleaner in painted sheet steel and varnished with epoxy powder, removable dirt canister, built-in 12 Volt inlets control, radial and by pass motor, silenced motor compartment, motor protection cloth filter, fuse, cyclone, cartridge filter, connections for linkage at piping network, fixing bracket for wall mounting, bag stretcher with 2 disposal plastic bags, CE certification.

#### Approximate application

Surface up to	m <sup>2</sup> 130	sq. foot 1,400
or length of tubing	m 40 ca	yard 44
Maximum no. of inlet sockets	no.	5

#### Technical data

Motor power	Kw	1,25
Turbine stages	no.	2
Voltage requirement	V	230
EC Safety degree		IP44
Suction power max	mbar 260	H <sub>2</sub> O lift 106''
Airflow max	m <sup>3</sup> /h 191	CFM 112
Air watts @ Ø32mm	W	341
Cyclonical separator	no.	1
Filter surface	cm <sup>2</sup> 5.400	sq. inch 836
Fabric of framework		Metal/ABS
Dust receptacle capacity	l 25	gallons 7
Dimensions	cm 67x32Ø	inch 26,4"x12,6"Ø
Sound level	dB	60
Weight with packaging/net	kg 12,8/9,8	pound 28/22